

# SUN2000-200KTL-H3 Smart String Inverter



100A  
Per MPPT



99.0%  
Max. Efficiency



String-Smart  
Switch



Smart I-V Curve  
Diagnosis Supported



MBUS  
Supported



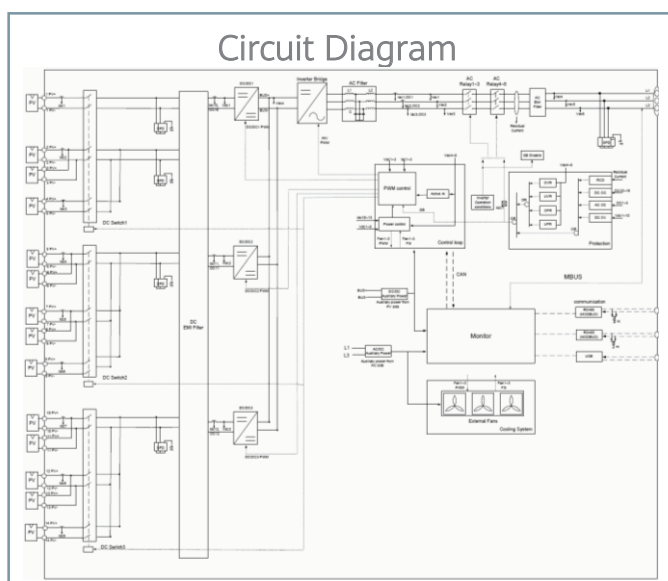
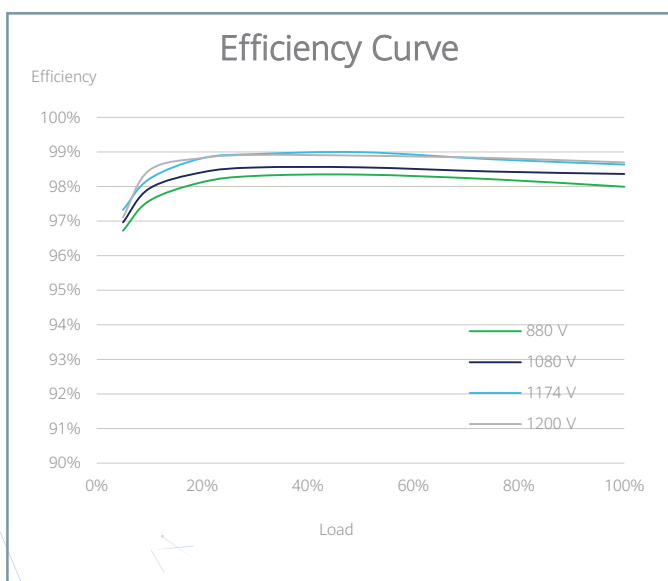
Fuse Free  
Design



Surge Arresters for  
DC & AC



IP66  
Protection





## Technical Specifications

Efficiency		
Max. Efficiency		≥99.0%
European Efficiency		≥98.6%
Input		
Max. Input Voltage		1,500 V
Number of MPP Trackers		3
Max. Current per MPPT		100A/100A/100A
Max. PV Inputs per MPPT		4/5/5
Start Voltage		550 V
MPPT Operating Voltage Range		500 V ~ 1,500 V
Nominal Input Voltage		1,080 V
Output		
Nominal AC Active Power		185,000 W
Max. AC Apparent Power		215,000 VA
Max. AC Active Power (cosφ=1)		215,000 W
Nominal Output Voltage		800 V, 3W + PE
Rated AC Grid Frequency		50 Hz / 60 Hz
Nominal Output Current		133.6A
Max. Output Current		155.2 A
Adjustable Power Factor Range		0.8 LG ... 0.8 LD
Max. Total Harmonic Distortion		< 1%
Protection		
Input-side Disconnection Device		Yes
Anti-islanding Protection		Yes
AC Overcurrent Protection		Yes
DC Reverse-polarity Protection		Yes
PV-array String Fault Monitoring		Yes
DC Surge Arrester		Type II
AC Surge Arrester		Type II
DC Insulation Resistance Detection		Yes
Residual Current Monitoring Unit		Yes
Communication		
Display		LED Indicators, WLAN + APP
USB		Yes
MBUS		Yes
RS485		Yes
General		
Dimensions (W x H x D)		1,035 x 700 x 365 mm (40.7 x 27.6 x 14.4 inch)
Weight (with mounting plate)		≤86 kg (191.8 lb.)
Operating Temperature Range		-25°C ~ 60°C (-13°F ~ 140°F)
Cooling Method		Smart Air Cooling
Max. Operating Altitude without Derating		4,000 m (13,123 ft.)
Relative Humidity		0 ~ 100%
DC Connector		Staubli MC4 EVO2
AC Connector		Waterproof Connector + OT/DT Terminal
Protection Degree		IP66
Topology		Transformerless