

SN25-X/30/33/36/40PT

Three Phase Inverters/ 3 MPPTS



Safe & Reliable

IP66 Protection & C5 Anti-Corrosion Rating
Type II SPD, Both DC & AC Parts
Smart Arc-Fault Circuit-Interrupter

High Rewards

Built-in PID Recovery Function
Compatible With Bifacial Modules
1.1 Times Continuous Output Overload

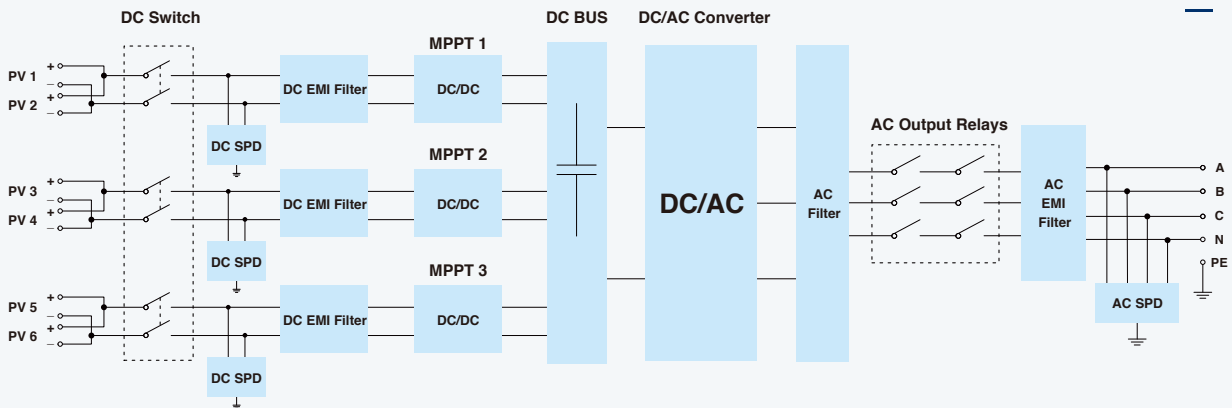
High-Performance Management

High Quality OLED Screen
Smart I/V Curve Scan
Local & Remote Maintenance

User -Friendly Design

Convenience Handle Design
1100V Voltage Level Design
Plant Monitoring Quickly Create Via APP

Diagram Circuit



Max. PV Input Voltage/V			1100		
Max. PV Power(STC)/Wp	37500	45000	49500	54000	60000
Rated PV Input Voltage/V			620		
MPPT Operating Voltage Range/V			160-1000		
Full Power MPPT Voltage Range/V			520-850		
Start DC Voltage/V			180		
Number Of PV input Per MPPT			3*2		
Max. Current Per MPPT/A	32/32/32	32/32/32	32/32/32	40/32/32	40/32/32
Max. Short Circuit Current Per MPPT/A			50		
DC Terminal			Amphenol/MC4		
Rated Output Power/W	25000	30000	33000	36000	40000
Max. Output Apparent Power/VA	27500	33000	36300	39600	44000
Max. Output Current/A	39.9	47.8	52.6	57.4	63.8
Nominal Grid Voltage/V			3/N/PE 230/400		
AC Voltage Range/V			320-480		
AC Frequency Range/Hz			50/60Hz		
Power Factor			0.8leading-0.8lagging		
Harmonic (THD)			< 3%		
AC Terminal			Terminal Block		
Max. Efficiency	98.10%	98.10%	98.10%	98.20%	98.20%
EU Efficiency	97.80%	97.80%	97.80%	97.90%	97.90%
Display Mode			LED, OLED(Optional)		
Communication Port			RS485, WIFI/GPRS/Ethernet, DI/DO		
Weight/Kg			32		
Dimensions (W*H*D)/mm			585*490*260		
Max. Operating Altitude/m			4000m(>3000m derating)		
Cooling Mode			SMART Fan Cooling		
Humidity			0~100%		
Operating Temperature/			-25~60 C		
Protection Level			IP66		
Topology			Transformerless		
Self-Consuming At Night			< 1W		
Leakage Current Protection			Yes		
Anti-island Protection			Yes		
DC Reverse Protection			Yes		
AC Short Circuit Protection			Yes		
PV string Current Detection			Optional		
PID Protection			Optional		
DC Switch			Yes		
Arc-Fault Circuit-Interrupter			Yes		
Surge Protection			DC II/AC II		
Insulation Monitoring			Yes		
Over-Voltage Protection			AC: III; DC: II		