

# SP-120K-BL

## SP Series String Solar Inverter



### More power generation

Max. efficiency 98.7%, Euro efficiency 98.5%  
 10 MPPTs for tracking maximum PV power  
 Supports bifacial PV modules with max. PV current 15A



### Low system cost

Up to 20 PV strings  
 Support aluminum cable access, saving cable costs  
 Support WIFI communication, save communication cable



### High reliability

Cooling fan with IP68 protection level  
 Integrated string monitoring function  
 Standard connection terminal for quick installation

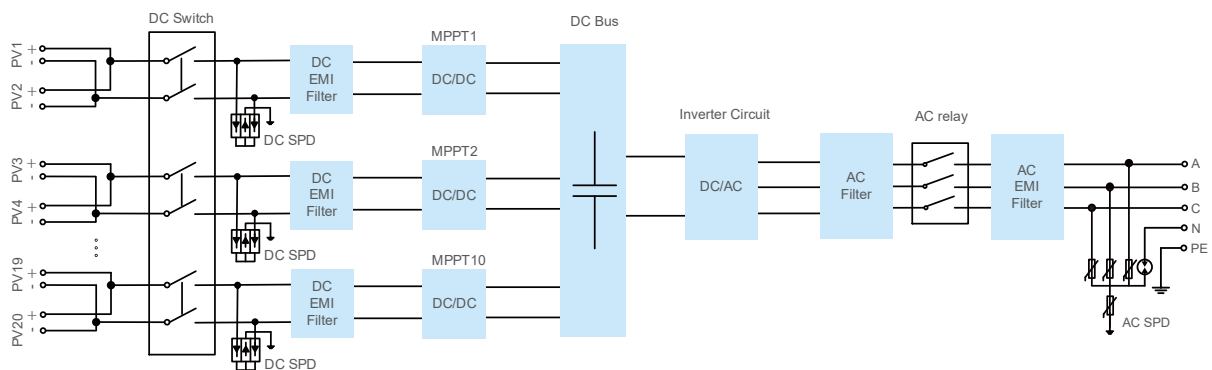


### Grid friendly

Adjustable reactive power  
 Low harmonics and fast response for grid regulation



## Circuit



Input (DC)		SP-120K-BL
Max. PV input voltage		1100V
Max. input current		30A*10
Rated input voltage		600V
MPP voltage range		200~1000V
MPP voltage range for nominal power		550~850V
Number of MPPT trackers		10
Max. number of PV strings per MPPT		2
Output (AC)		
Rated output power		121kW@40□□110kW@45□□100kW@50□
Max. output power		121kW
Rated grid voltage		380V/400V
Grid voltage range		340~440V
Max. output current		167A@380V, 158.8A@400V
Rated grid frequency / range		50Hz/45~55Hz, 60Hz/55~65Hz
Output current harmonic(at nominal power)		<3%
Power factor at nominal power / range		>0.99/0.8leading to 0.8lagging
Protection		
DC reverse connection protection		Yes
Overvoltage protection		DC Type II/AC Type II
Leakage current protection		Yes
Grid monitoring		Yes
Insulation monitoring		Yes
Anti-island protection		Yes
Efficiency		
Max. efficiency		98.7%
EU efficiency		98.5%
General Data		
Isolation method		Transformerless
Self-consuming in night		<2W
Protection level		IP66
Noise		<60dB
Temperature		- 30 C ~ +60 C
Allowed humidity(non condensing)		0-100%
Cooling mode		Temperature controlled forced air cooling
Max.operating altitude		4000m (>3000m derating )
Communication port		Standard:RS485, Optional:WIFI
Dimensions (W×H×D)		1018×630×339mm
Weight		85kg